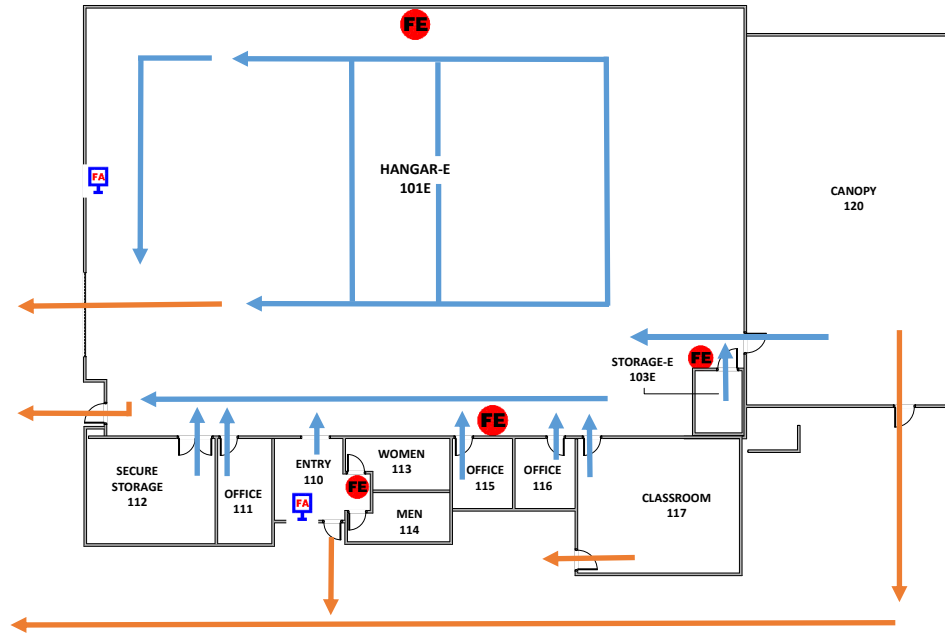


FIRE EXIT PLAN

BUILDING 5



G

FIRE EXIT PLAN

BUILDING 5

REV. 04-21-2022



NORTH

GATHERING AREAS PLAN

REVISED 04-21-2022

LEGEND



DESIGNATED AREA G



FIRE EXTINGUISHER



FIRE ALARM PULL STATION

SITE GATHERING



IN THE EVENT OF AN EMERGENCY
EXIT THE BUILDING SAFELY
GATHER IN DESIGNATED AREAS
AWAIT FURTHER INSTRUCTIONS